

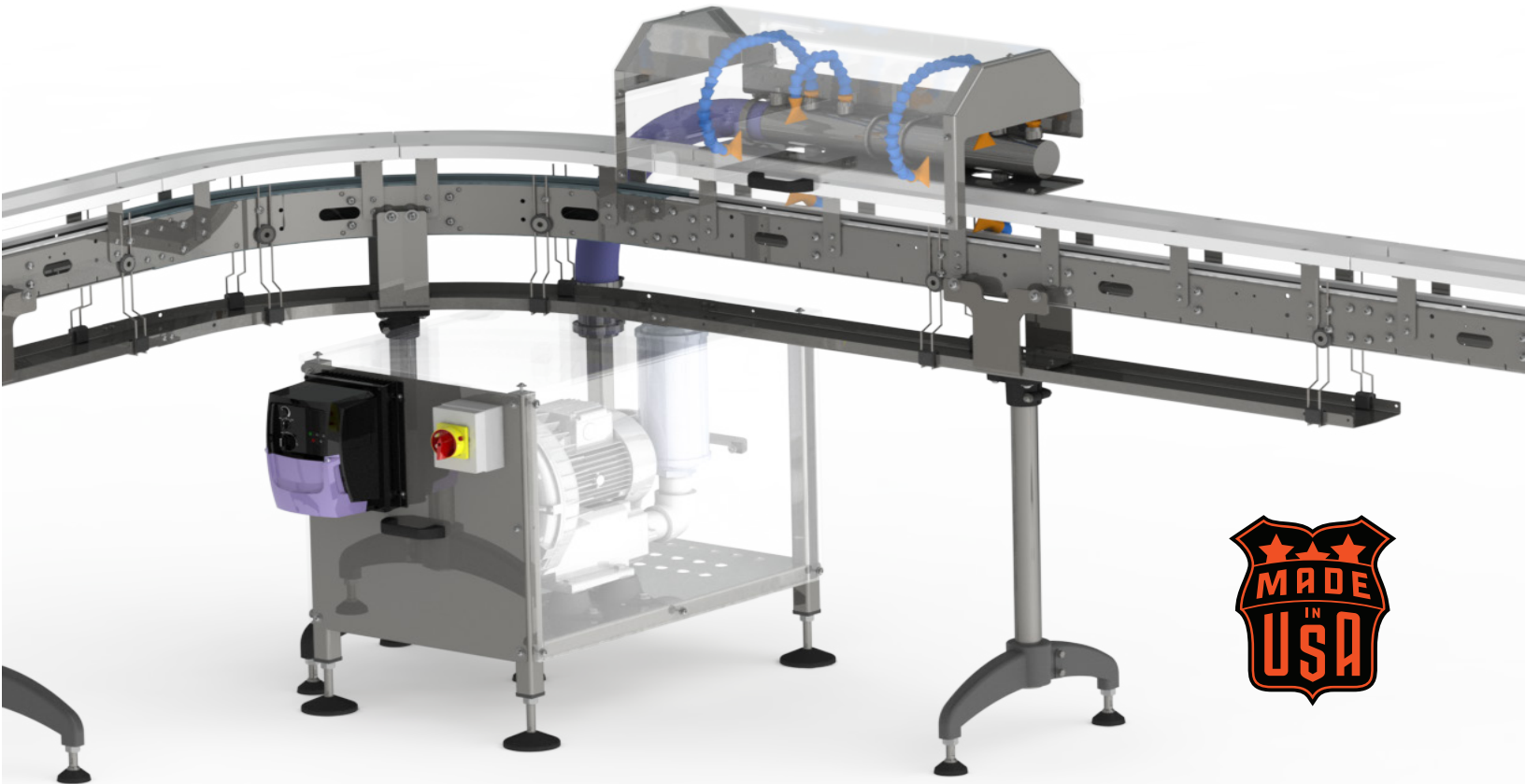


Palmer Beverage Systems



CAN DRYING BLOWER SYSTEM

Powerful, flexible, effective, and low energy consumption for efficiently drying beverage cans or bottles



WE OFFER ONE 4.5 – 20 HP DIRECT DRIVE BLOWERS FOR VARIOUS LINE SPEEDS

FEATURES

- 4.5 – 20 HP direct drive blowers
- Air nozzles can be fitted for top, bottom, and sides of cans
- Stainless steel stand and hood with vibration pad mounting
- VFD and blower disconnect
- 230-450V 3-Phase motor TEFC
- Nema - Class B insulation
- UL, CSA, and CE certified



CORPORATE
 3024 North Ashland Ave.
 Suite 57897
 Chicago, IL 60657

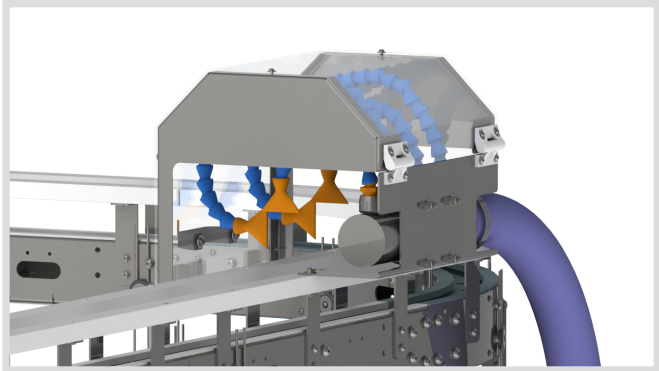
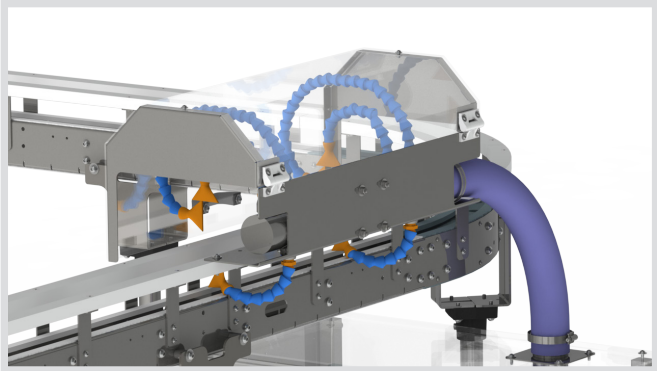
CONTACT
www.palmerbeverage.systems
 +1 (773) 666-5051
hello@palmerbeverage.systems



Palmer Beverage SYSTEMS



CUSTOM PACKAGES AVAILABLE FOR ANY CONTAINER DRYING APPLICATION



CORPORATE
3024 North Ashland Ave.
Suite 57897
Chicago, IL 60657

CONTACT
www.palmerbeverage.systems
+1 (773) 666-5051
hello@palmerbeverage.systems

