

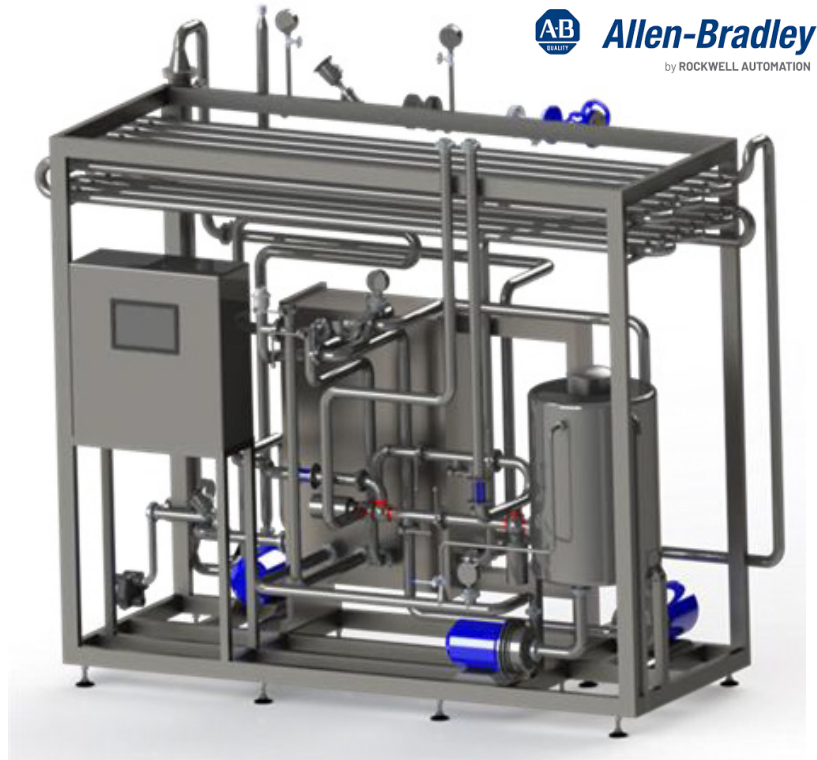


## FLASH-PASTEURIZER



### FEATURES

- The design is based on proven EHEDG principles
- The consistent pressure regime ensures a positive pressure gradient and prevents outgassing if CSD are pasteurized
- >88% total energy efficiency
- High-precision temperature control, that ensures excellent PU control
- All the processes are automated
- Maintenance-friendly positioning of the pumps and key components
- Very compact design to save space
- User-friendly and intuitive HMI panel
- All stainless still not less than AISI 304



Our Flash-Pasteurizer is an automated, skid-mounted flash pasteurization system, that enables the heat treatment and stabilization of carbonated liquid products, includes beer, beer mixes, ciders at outputs from 3000 to up to 50000 liters per hour.

### KEY TECHNICAL CHARACTERISTICS

- Product: carbonated or non-carbonated energy drink
- Output: 19000 lph (5000 gph)
- Temperature of product at the inlet, °C: 15..20 (59-68F)
- Pasteurization temperature (adjustable), °C: 74-76(165-168F) (default)
- Temperature of pasteurized product, °C : 25-30
- Holding time at the temperature of pasteurization, secs (adjustable): 30
- Heat transfer fluids: steam, cooling fluid
- Weight, kgs: up to 2500
- Footprint, up to:
  - Depth: 2000 mm (28,74 inches)
  - Height: 3000 mm (118,11 inches)
  - Width: 2300 mm (90,55 inches)

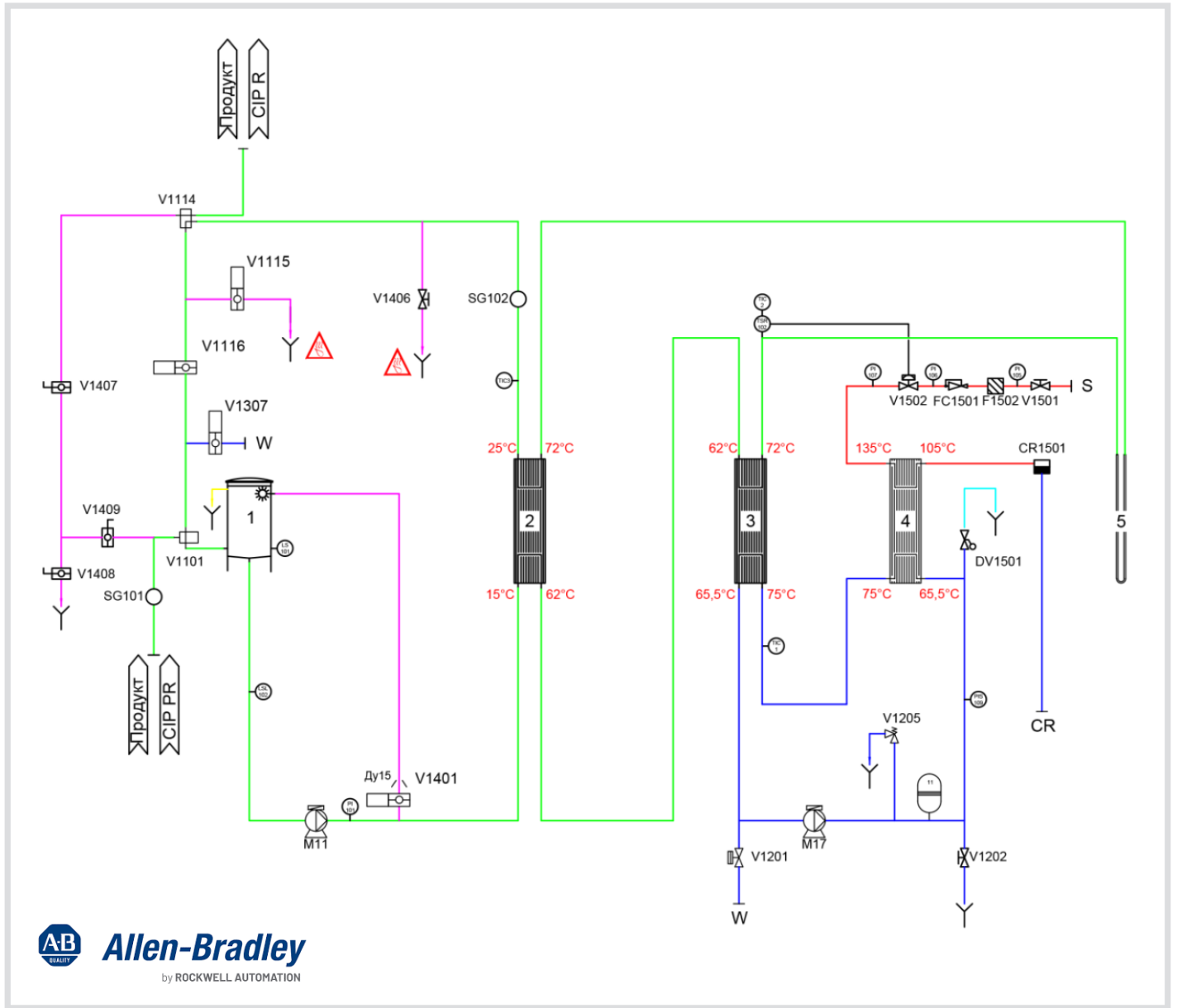


**CORPORATE**  
3024 North Ashland Ave.  
Suite 57897  
Chicago, IL 60657

**CONTACT**  
[www.palmerbeverage.systems](http://www.palmerbeverage.systems)  
+1 (773) 666-5051  
[hello@palmerbeverage.systems](mailto:hello@palmerbeverage.systems)



# FLASH-PASTEURIZER P&ID



**CORPORATE**  
3024 North Ashland Ave.  
Suite 57897  
Chicago, IL 60657

**CONTACT**  
[www.palmerbeverage.systems](http://www.palmerbeverage.systems)  
+1 (773) 666-5051  
[hello@palmerbeverage.systems](mailto:hello@palmerbeverage.systems)

