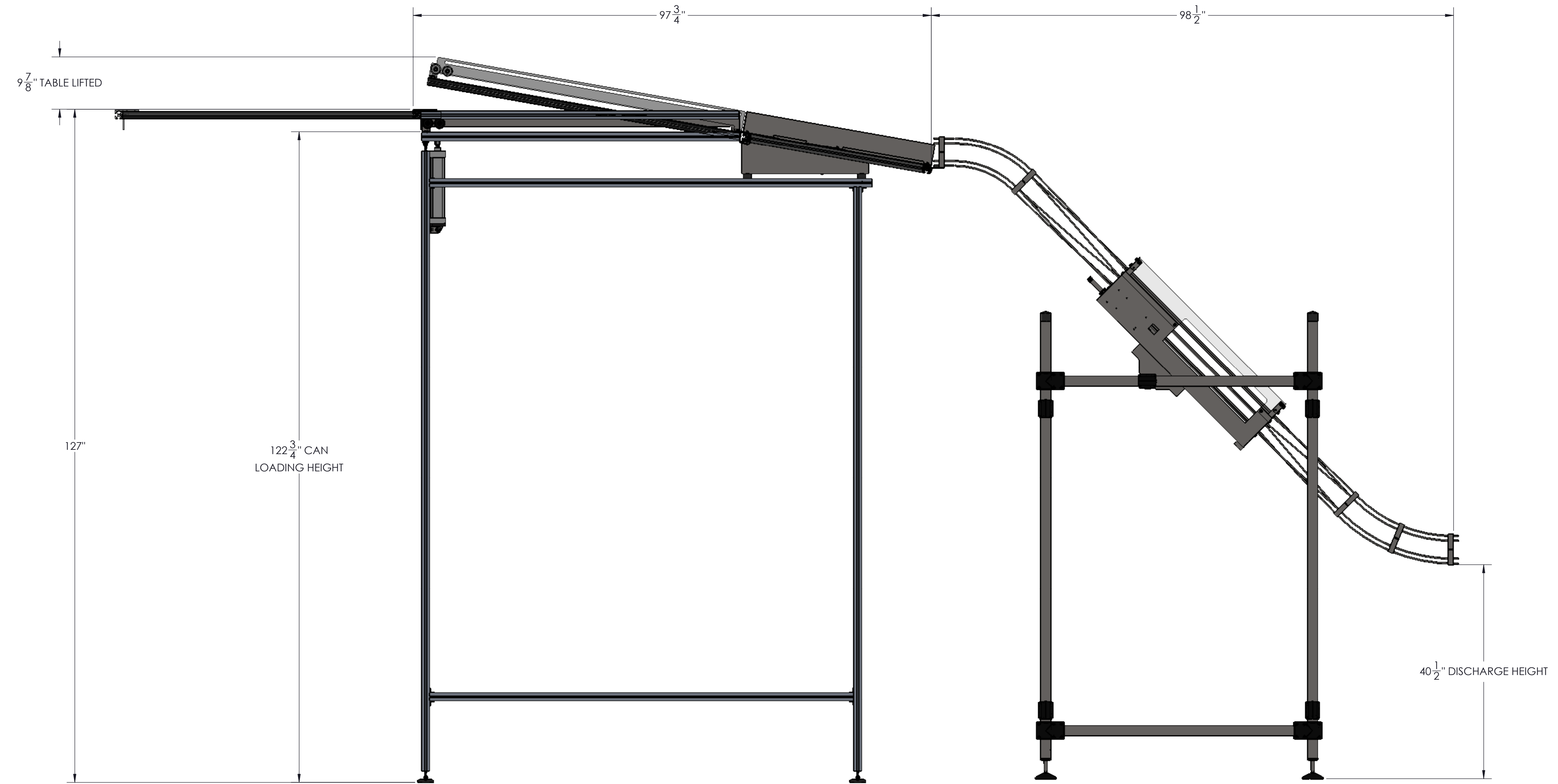


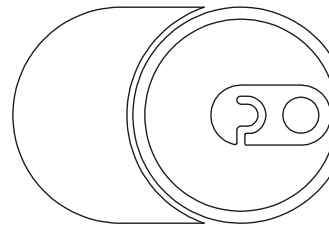
SYSTEM REQUIREMENTS:

120VAC 1 PH.

30 P.S.I. WATER (9G.P.M.)

AIR - 90 P.S.I.



UNLESS OTHERWISE SPECIFIED		MANUAL DEPALLETIZER			
DIMENSIONS ARE IN INCHES U.O.N.					
DRAWING TOLERANCES:		MAIN ASSEMBLY		PALMER BEVERAGE SYSTEMS, LLC 3758 HAVENWOOD AVE, SUITE 223 CHICAGO, IL 60613 U.S.A. PH: (773) 656-5552 FAX: (773) 230-6332 www.palmerbeveragesystems.com	
FRACTIONAL ±	1/32"				
ANGULAR ±	0.5°	MATERIAL	SEE B.O.M.	PART #	790000-Brochure
DECIMAL ±	.010"	FINISH	#4 POLISH	SCALE	1:16
BREAK ALL SHARP EDGES		DO NOT SCALE DRAWING		BORDER SIZE	D
DWG BY:	DATE:	SHEET		1	OF 1
JHG	9/24/2021				