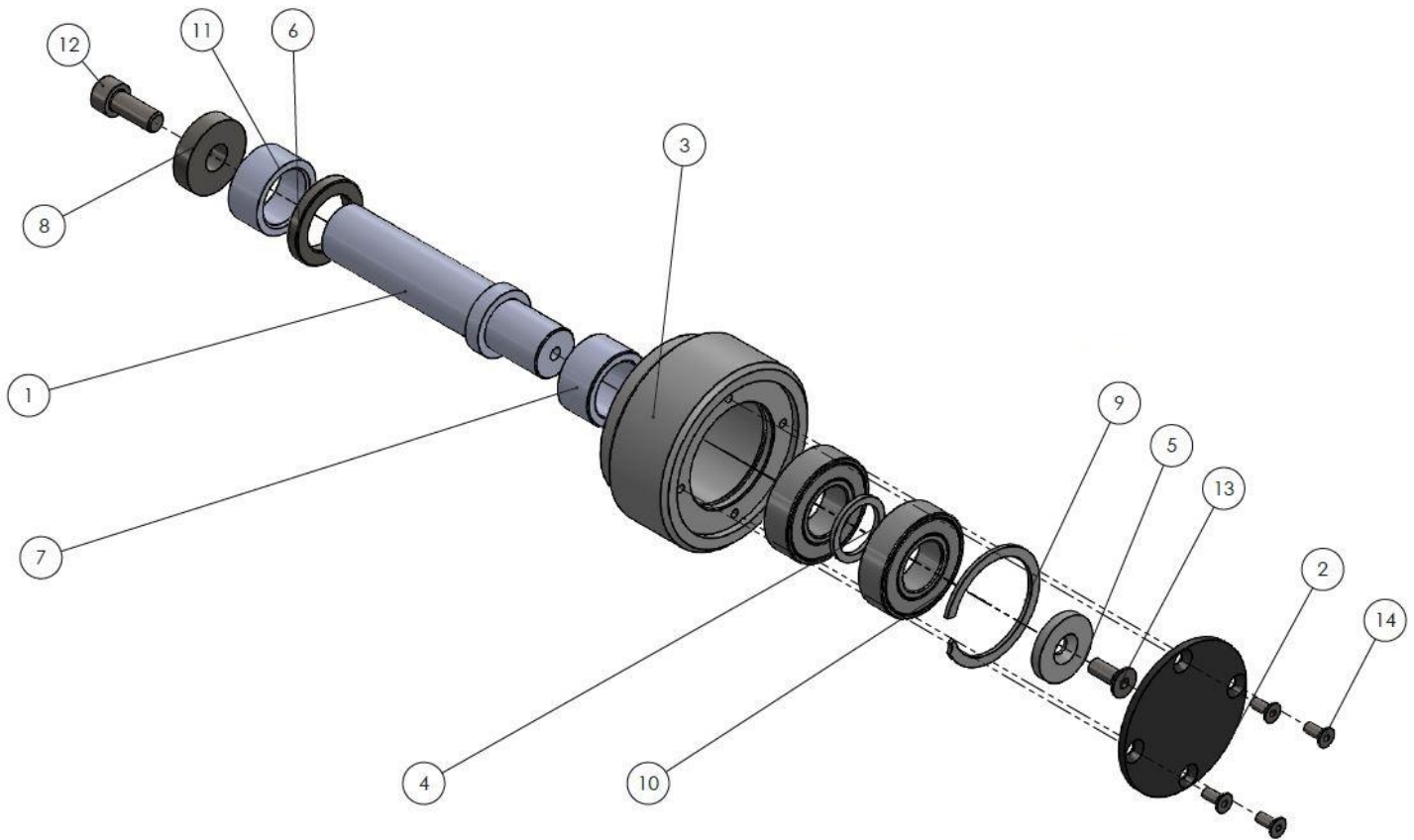




CAM FOLLOWER UPGRADE



NEW CAM FOLLOWER ASSEMBLY WITH STAINLESS STEEL BEARINGS SETUP ARE DESIGNED TO OPERATE & LAST LONGER AT HIGHER PRESSURES TO CAN HIGHER CARBONATED PRODUCTS. BELOW ARE THE PARTS FOR UPGRADE WHICH CAN BE SWAPPED WITH EXISTING CAM FOLLOWER ASSEMBLY.

801025 -NEW CAM FOLLOWER ASSEMBLY

ITEM NO.	PART NUMBER	DESCRIPTION	QTY
1	800588	SHAFT	1
2	800589	CAP	1
3	800593	CAM FOLLOWER	1
4	800959	SPACER	1
5	800960	WASHER	1
6	800589	GASKET	1
7	800590	BUSHING	1
8	800592	WASHER	1
9	800961	RETAINER RING	1
10	800740	SS BEARING	2
11	800591	GUIDE SLEEVE	1
12	M8	BOLT	1
13	M6	BOLT	1
14	M4	BOLT	4

CAN BE PURCHASED BY CONTACTING ORDERS@PALMERBEVERAGE.SYSTEMS