

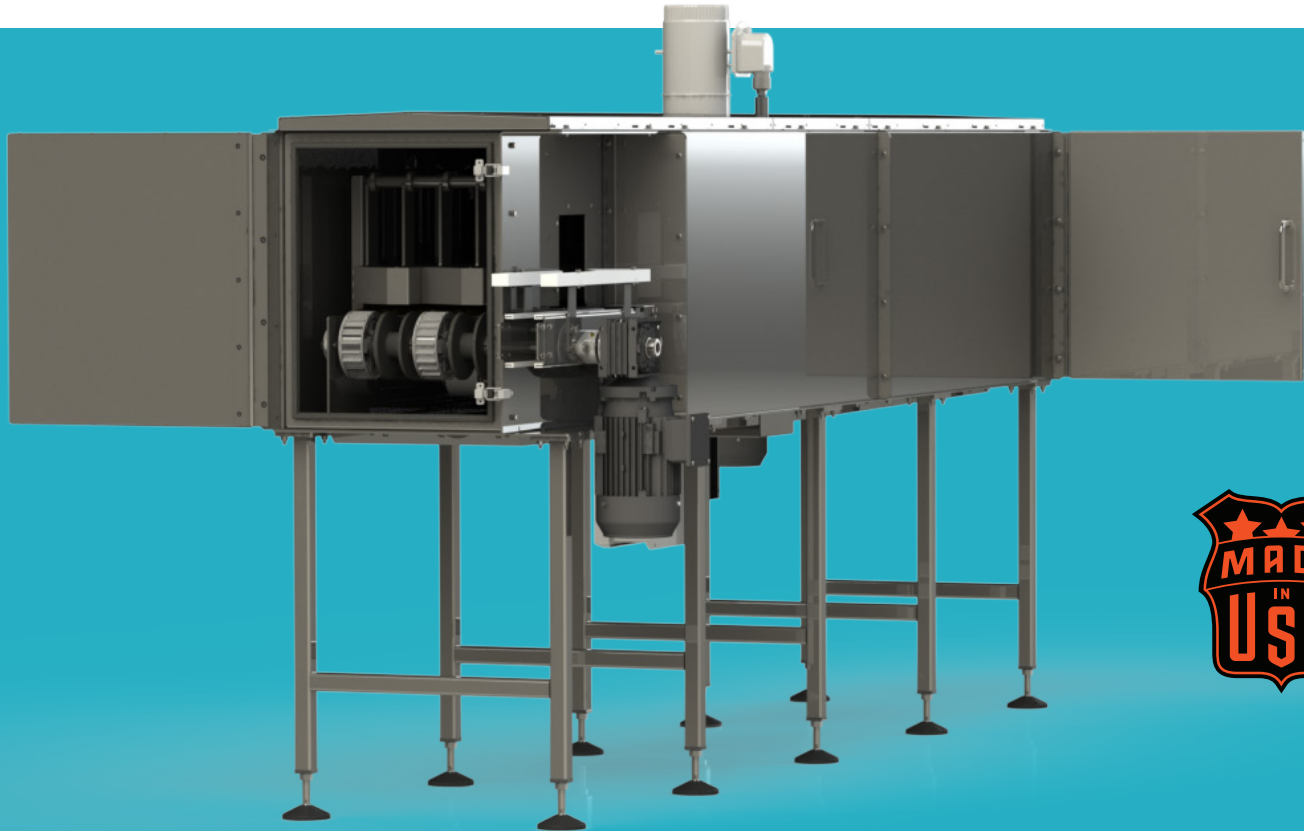


Palmer Beverage Systems



CAN WARMING TUNNEL - FILLED BEVERAGE CANS

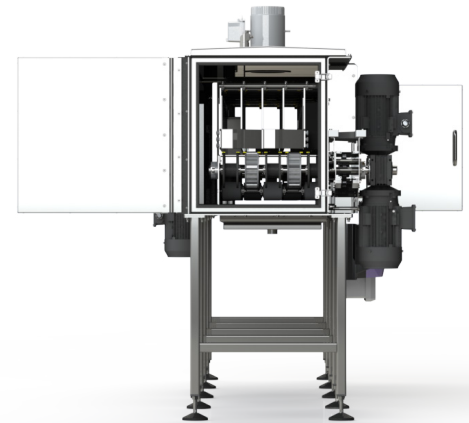
Systems for up to 400 CPM



Hot Water or Steam or Electrical Heating Options

FEATURES

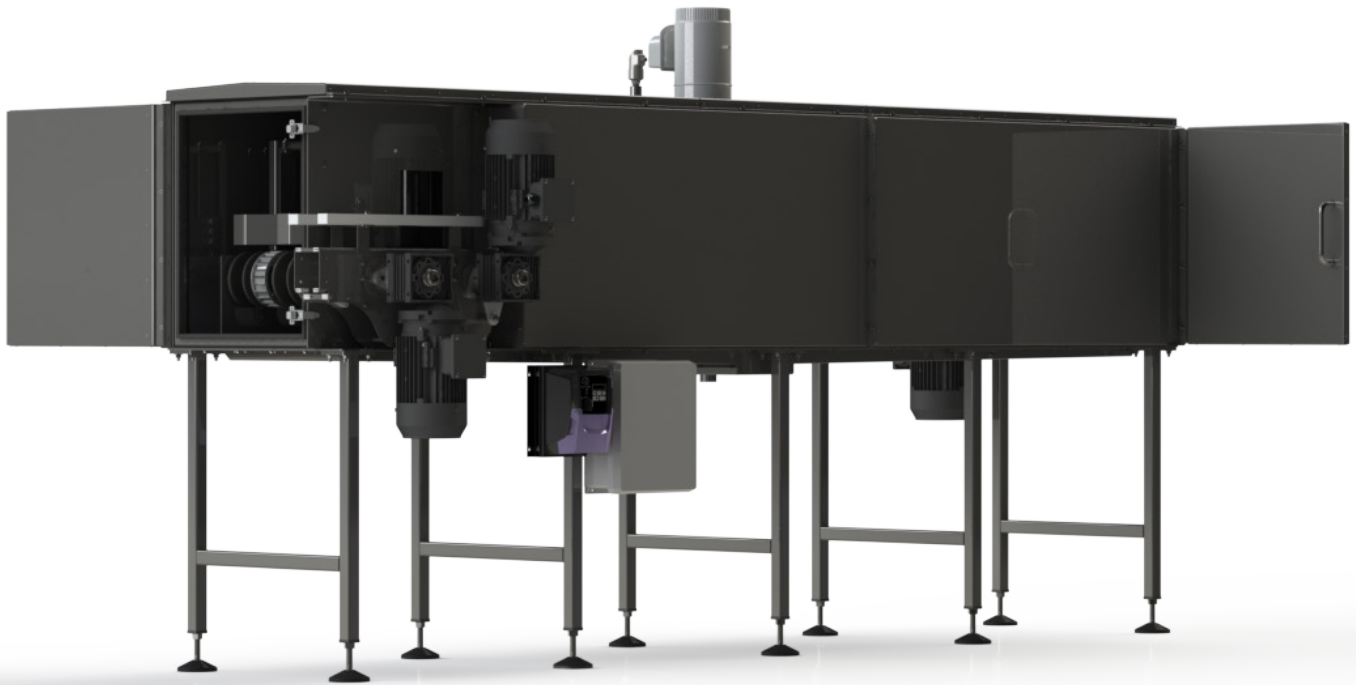
- All Stainless Design with Access Doors
- Plastic Belting and Sprockets
- Easy To Use and Set Up
- Runs Standard - Sleek - Slim



CORPORATE
3024 North Ashland Ave.
Suite 57897
Chicago, IL 60657

CONTACT
www.palmerbeverage.systems
+1 (773) 666-5051
hello@palmerbeverage.systems





CAN WARMING TUNNEL - FILLED BEVERAGE CANS

310100: WARMING TUNNEL

- Conveyor Power Requirement: 230/480VAC Three Phase
- Water Drainage: 1" FNPT
- Shipping Weight: 800lbs
- Overall Size: 132"L x 40"W x 66"H

310100-S: STEAM WARMING

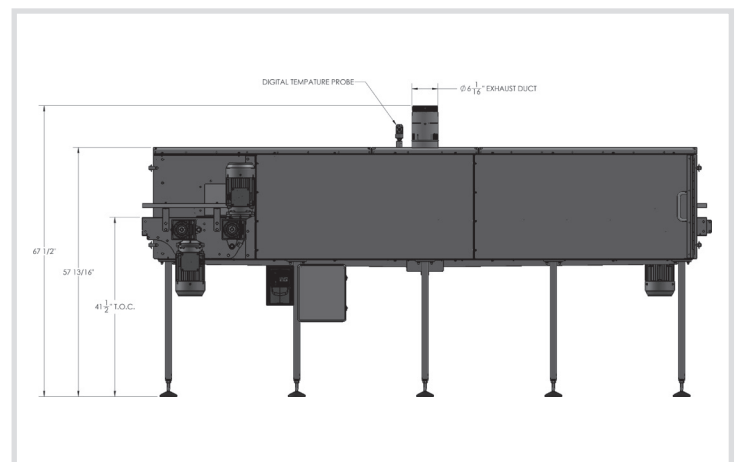
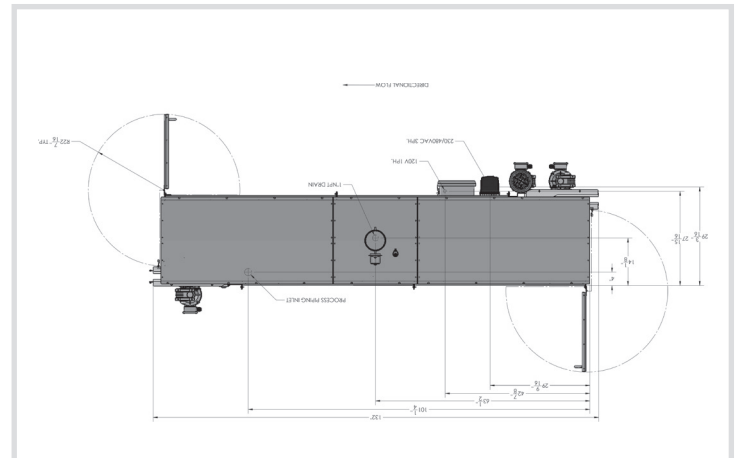
- Power Requirement: 120VAC Single Phase
- Steam Minimum Pressure: 30 P.S.I.
- Steam Maximum Pressure: 60 P.S.I.
- Steam Pounds per Hour Max: 230lbs/hr
- Steam Inlet Connection Size: 1/2 FNPT
- Steam Evacuation: 6" I.D. Ductwork
- Blower Cabinet: 310830
- Blower Power Requirement: 230/480VAC Three Phase

310100-W: HOT WATER WARMING

- Power Requirement: 120VAC Single Phase
- Water Pressure: 20-40 P.S.I.
- Water Consumption: 3.9 G.P.M. @ 30 P.S.I.
- Water Inlet Connection Size: 1/2 MNPT
- Heat Evacuation: 6" I.D. Ductwork

310100-E: ELECTRICAL AIR WARMING

- Power Requirement: 120VAC Single Phase
- Heat Evacuation: 6" I.D. Ductwork
- Air Heating Skid: 95"L x 38"W x 62"T
- Air Skid Power Requirement: 230/480VAC Three Phase



CORPORATE
3024 North Ashland Ave.
Suite 57897
Chicago, IL 60657

CONTACT
www.palmerbeverage.systems
+1 (773) 666-5051
hello@palmerbeverage.systems

